

Hangzhou Fuda Dehumidification Equipment Co., Ltd.

*Dedicated in air treatment
Pay attention to environment protection*

Catalog



1. Who we are
2. Our Products
3. Our Advantage
4. Who choose us
5. How to contact us

1. Who we are

2. Our Products

3. Our Advantage

4. Who choose us

5. How to contact us

1. Who we are

- Located in **Hangzhou**, Chinese latest rising International city
- Founded in 1995, by Chinese first group expert who R&D, manufactured, installed and tested Chinese first rotor dehumidifier between 1973~1975.
- FUDA is the Chinese first professional desiccant rotor dehumidifier factory, and market-proved worth-trusted air handling expert.

2. Our Product

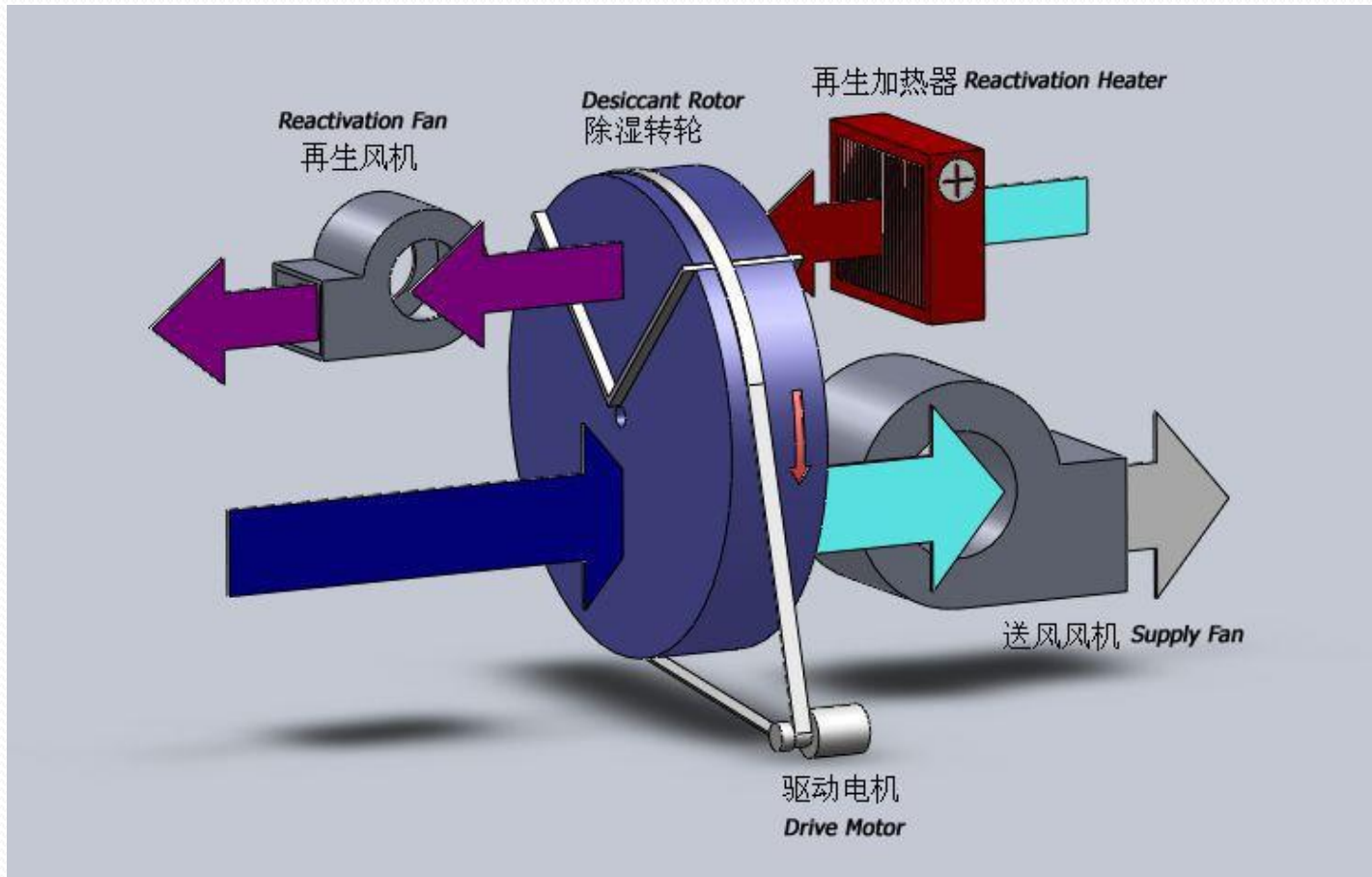
- 2.1 ZCS Stand-alone Dehumidifier
- 2.2 ZCB Desiccant Dehumidifying System
- 2.3 Low Dew Point Dehumidifier
- 2.4 Moveable Desiccant Dehumidifier
- 2.5 Air Handling Unit(AHU)
- 2.6 Refrigeration Dehumidifier

2.1 ZCS Stand-alone Dehumidifier



Fuda Desiccant Dehumidifier

Working Principle Diagram of ZCS Dehumidifier

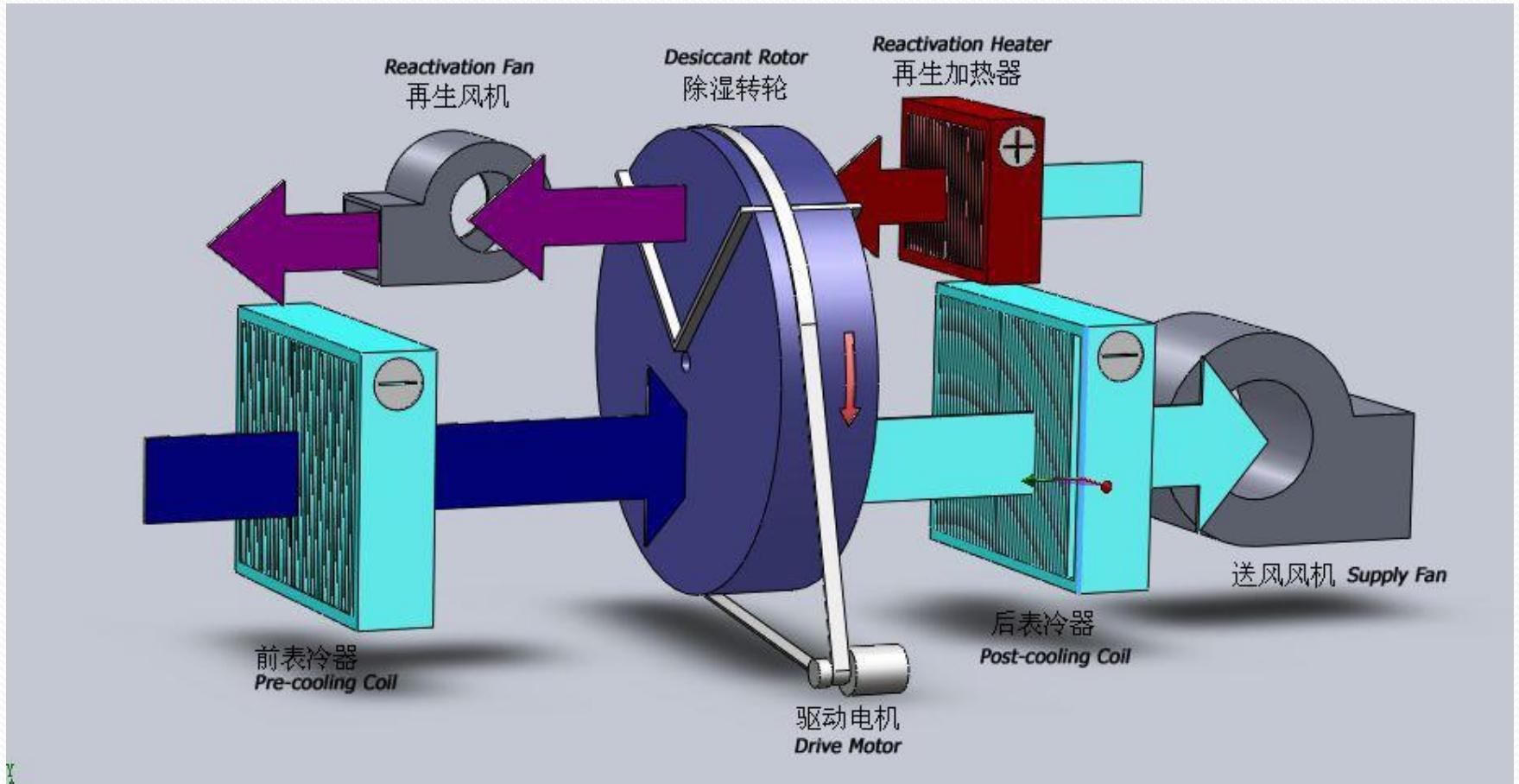


2.2 ZCB Desiccant Dehumidifying System



Fuda Desiccant Dehumidifier

Working Principle Diagram of ZCB Dehumidifier

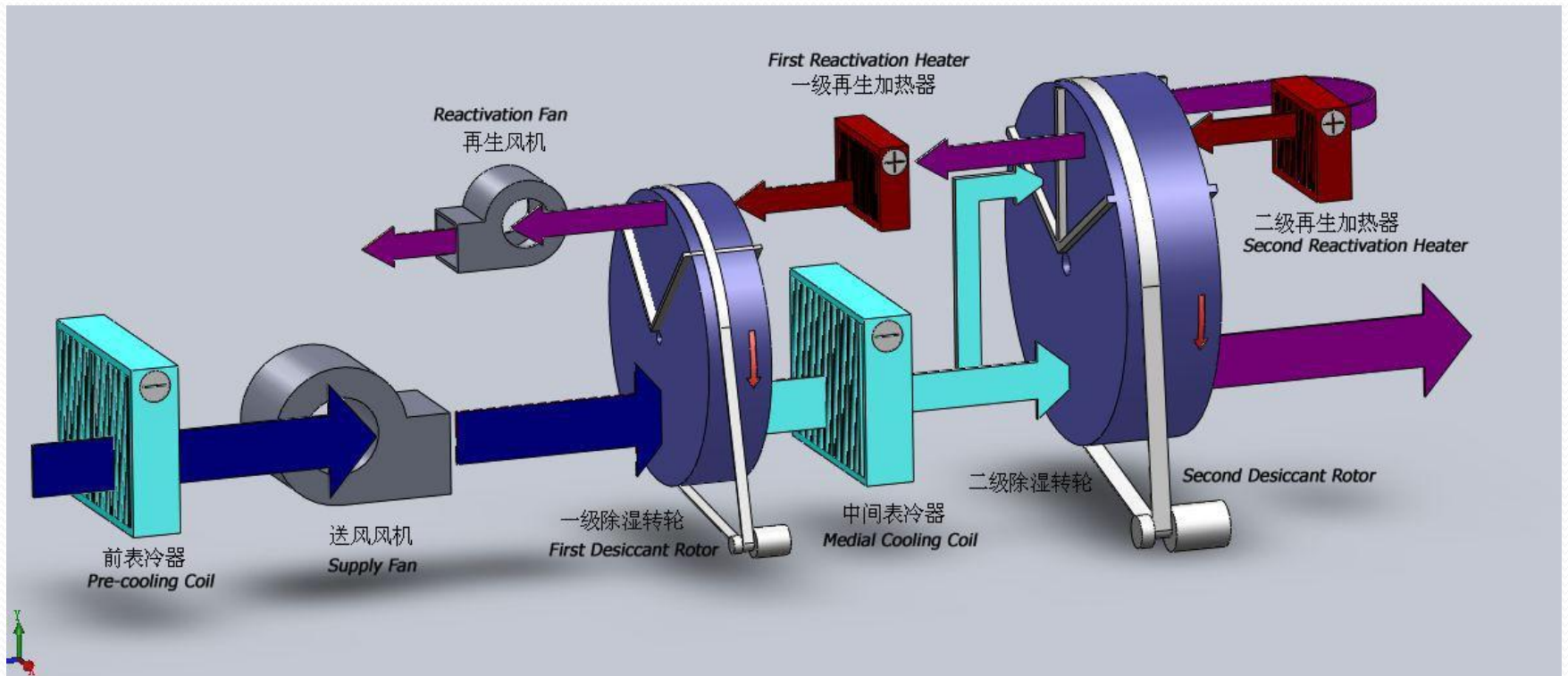


2.3 Low Dew Point Dehumidifier



Fuda Desiccant Dehumidifier

Working Principle Diagram of ZCH Dehumidifier



2.4 Moveable Desiccant Dehumidifier



Fuda Desiccant Dehumidifier

2.5 Air Handling Unit(AHU)



Fuda Desiccant Dehumidifier

2.6 Refrigeration Dehumidifier



Fuda Desiccant Dehumidifier



Fuda Desiccant Dehumidifier

3. Our Advantage

- Excellent Engineering Experience
- Veteran of serving aboard buyers
- Super low dew point dehumidifier

3.1 Excellent Engineering Experience

- No.1 China Dehumidifier Expert who involved in the R&D, manufactured, installed and tested of China first desiccant rotor dehumidifier. Over 40 years engineering experience in the area.
- No.1 China Dehumidifier Company who export low-dew-point desiccant rotor dehumidifier (DPT < $-75\text{ }^{\circ}\text{C}$) to Japanese lithium battery industry.
- No.1 China Dehumidifier company who supply low-dew-point desiccant rotor dehumidifier (DPT < $-60\text{ }^{\circ}\text{C}$) to Chinese nuclear weapon research center – CEAP (Chinese Academy of Engineering Physics) for military lithium laboratory usage.
- No.1 China Dehumidifier company in Chinese biology pharmacy industrial and health food industry. The inventor of dehumidification process which utilize humidity difference in the soft capsule production of biology pharmacy industry, and is widely adopted by the industry.

3.2 Veteran of serving aboard buyers

- We are factory, directly tech discussion, 40 years engineering experience.
- 10 years experience in machinery international trading.
- can understand well customer's need, and suggest appropriate and cost-effective solution for customer.
- can understand well customer's worry, and use our profession to do our best to ensure quality and after-sales service.

3.3 Super low dew point dehumidifier

- The dehumidifiers used widely in Chinese lithium battery production factories, market proved powerful competitor of Munters company.



Fuda Desiccant Dehumidifier

4. Who choose us

Up to Dec 31th, 2016, hundreds of factories come from

- lithium battery / lithium material industry
- biotechnology / pharmaceutical industry
- university / scientific research
- electric power / transportation industry
- chemical engineering / daily chemical industry
- food / beverage industry
- safe glass industry
- rubber tire industry
- film & image industry
- medical instrument industry
- precise instrument industry
- wooden plastic industry
- shipbuilding painting industry

They are from Pakistan, Japan, America, Sri Lanka, Thailand, Venezuela, Indonesia, Korea, Vietnam, Italy, Philippines, Oman, Saudi ect. has chosen FUDA Desiccant Dehumidifiers.

5. How to Contact us

Connie Chen

Sales Engineer | FUDA Desiccant Dehumidifier

Cell: +86 15925669103

Tel: +86 571 8689 9396

Fax: +86 571 8689 9390

Email: conniechen1012@hotmail.com

chenkejiao@hzfdcs.com

Web: www.hzfdcs.com

www.industrialdesiccantdehumidifier.com

Add: No. 115, Xingfu South Road, HEDA, Hangzhou City, Zhejiang Province, China